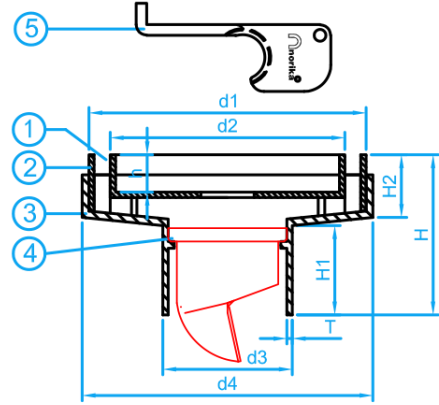
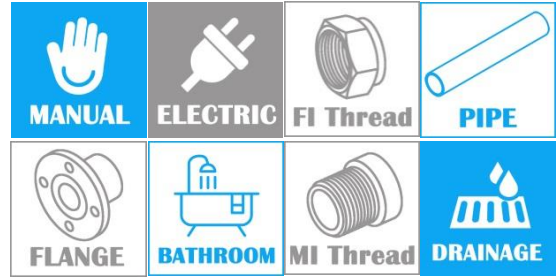


STAINLESS STEEL DECORATIVE SMARTDRAIN

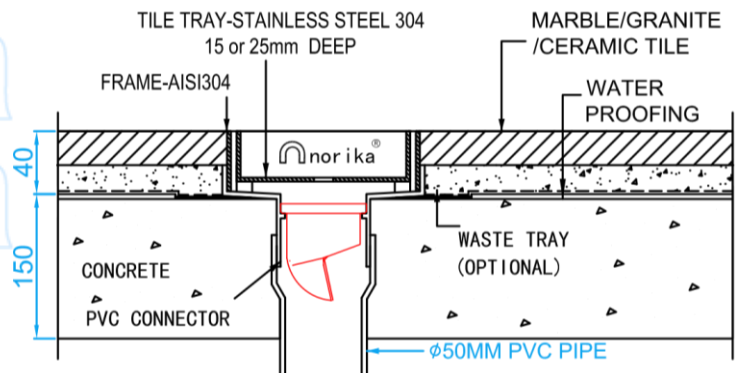
COMPLY WITH SS213 :1998



CROSS SECTIONAL VIEW



INSTALLATION EFFECT



* AISI316L material is available upon request.

CHARACTERISTIC	
Main Function	Drainage
Surface Treatment	Hairline
Applications	Sleek and modern smartdrain for use in residential, hotels, apartments, office buildings. HDB. Villas

COMPONENT PARTS		
ITEM	PARTS	MATERIAL
1	Tray	AISI304L
2	Frame	AISI304L
3	Base	UPVC
4	Filter	UPVC
5	Key	Nylon

DIMENSIONS

SKU	d1 (mm)	d2 (mm)	d3 (mm)	d4 (mm)	H (mm)	H1 (mm)	H2 (mm)	h (mm)	T (mm)	WEIGHT (kg)	PCS/CTN
SMARTDRAIN10050T-HDB	104	88	48.5	109	62	33.5	25	15.5	2	0.336	20
SMARTDRAIN10050M-HDB					72						